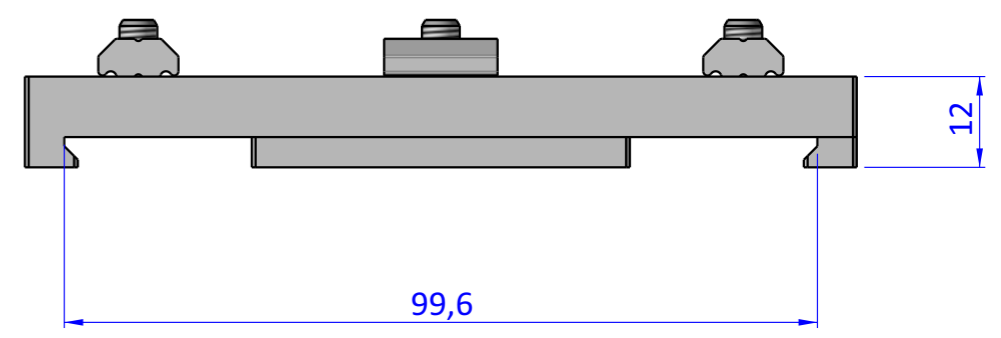
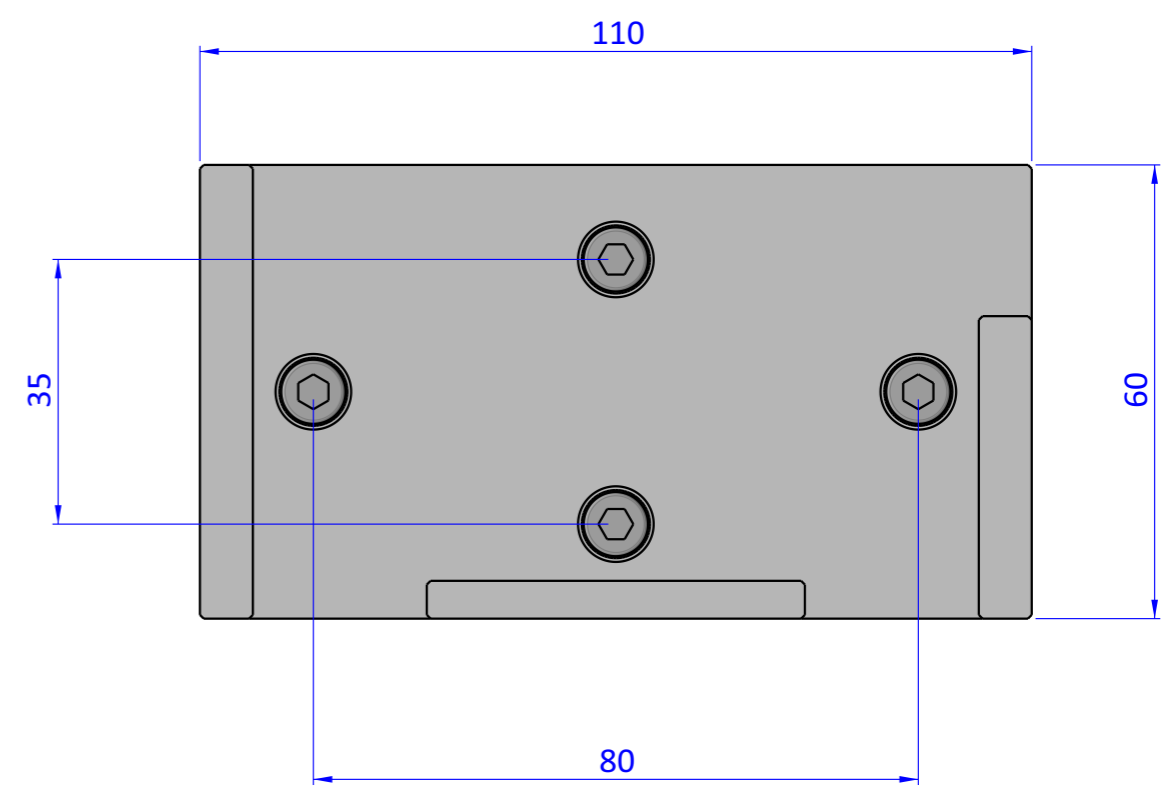
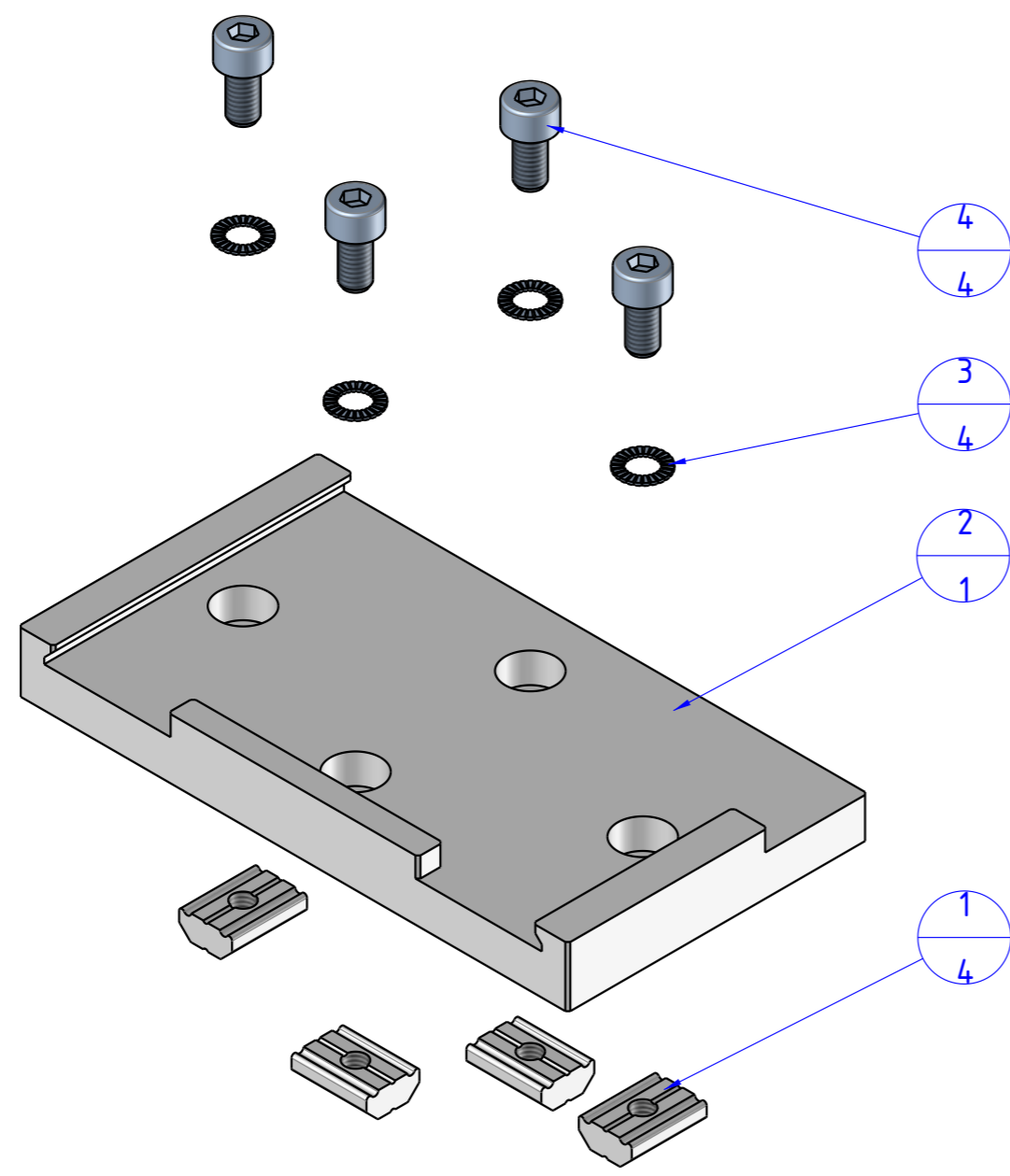



THE PROPERTY OF THE DRAWING IS ESTABLISHED BY LAW. IT IS FORBIDDEN TO PRODUCE OR SHOW IT TO THIRD PART - WITHOUT A WRITTEN AGREEMENT.

Item	Name	Q.ty
1	CA.GWP.5U	4
2	GHV.100	1
3	R.5.SCH	4
4	V.TCE5x10	4



Format A3
UNI 936-76

 FPS FPSERVICES AUTOMATION		DESIGNED FROM		REVIEW
		FPS Automation		A
GENERAL TOLERANCE		DATE		WEIGHT
UNI - ISO 2768		18/10/2022		0,181kg
CLASSE f		CODE		
		CA.GHV.100		CA.GHV.100